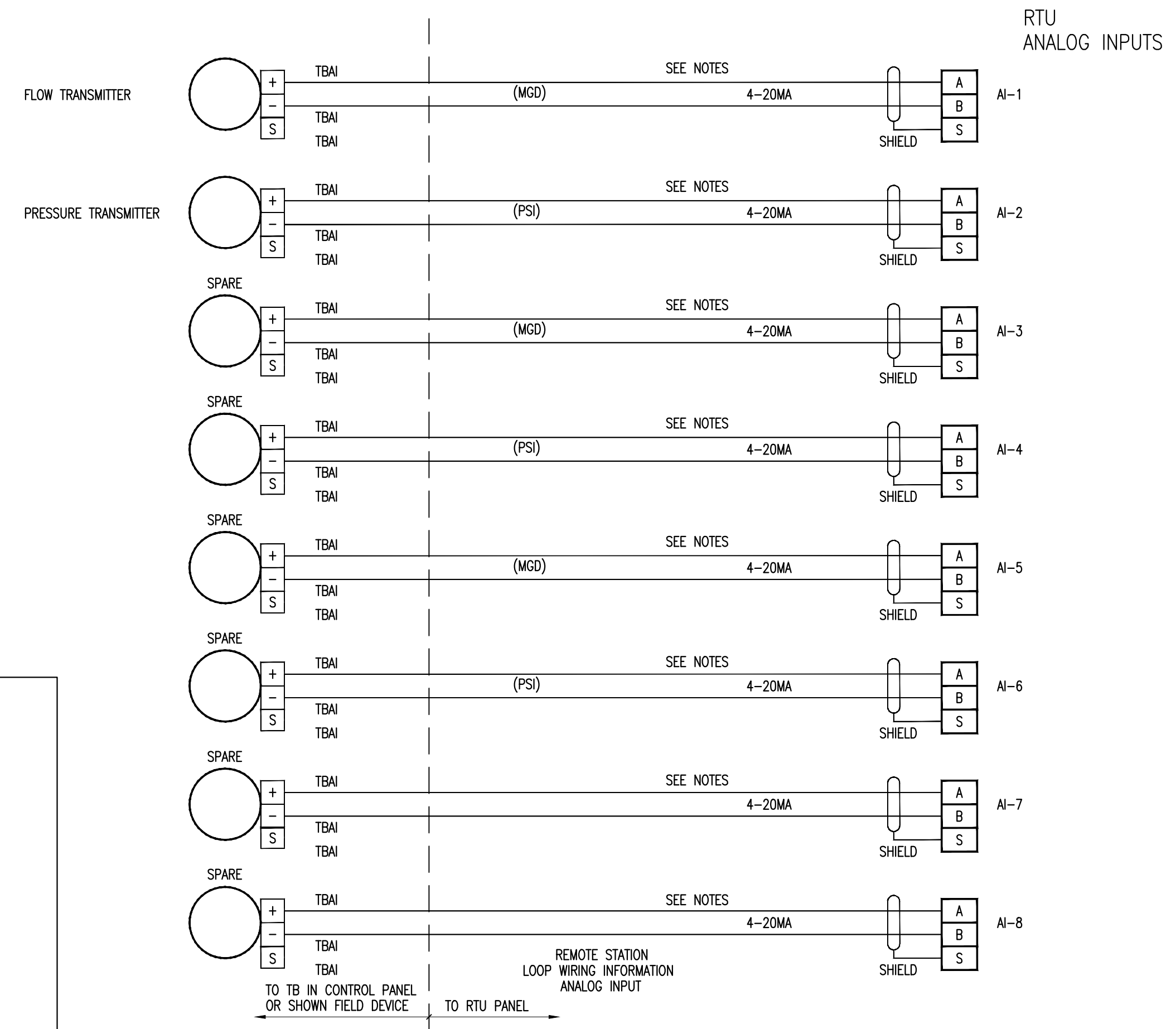
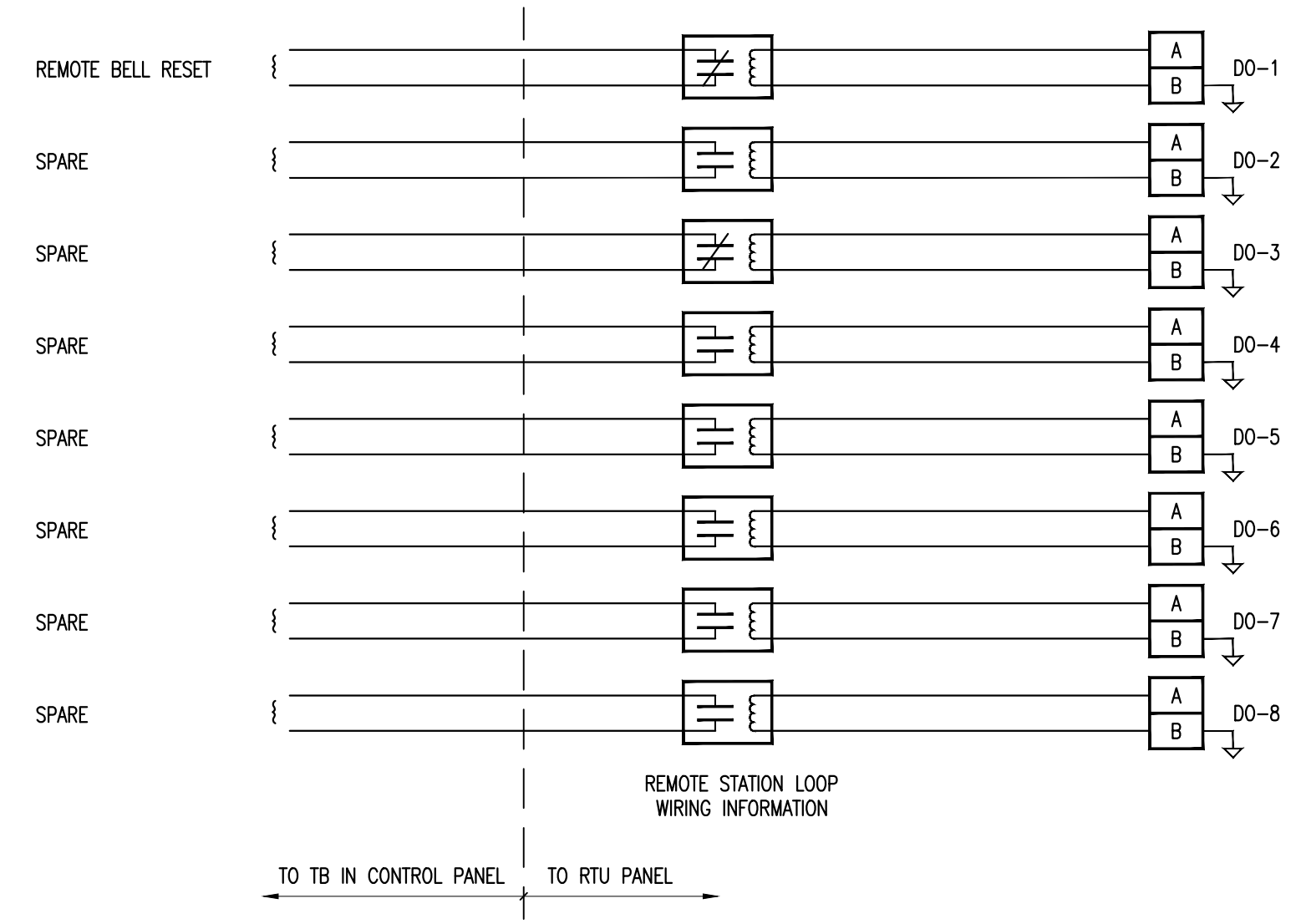
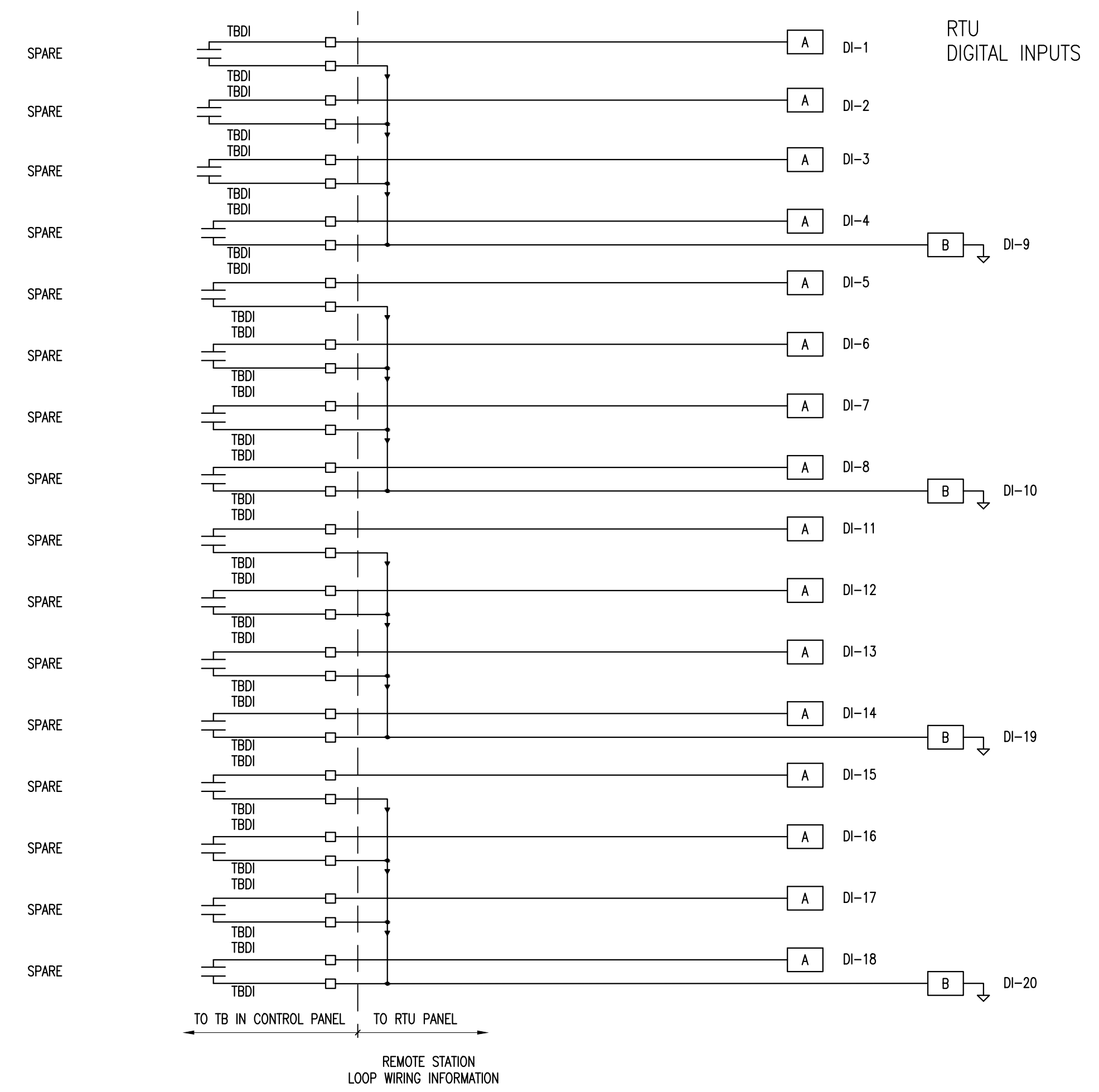
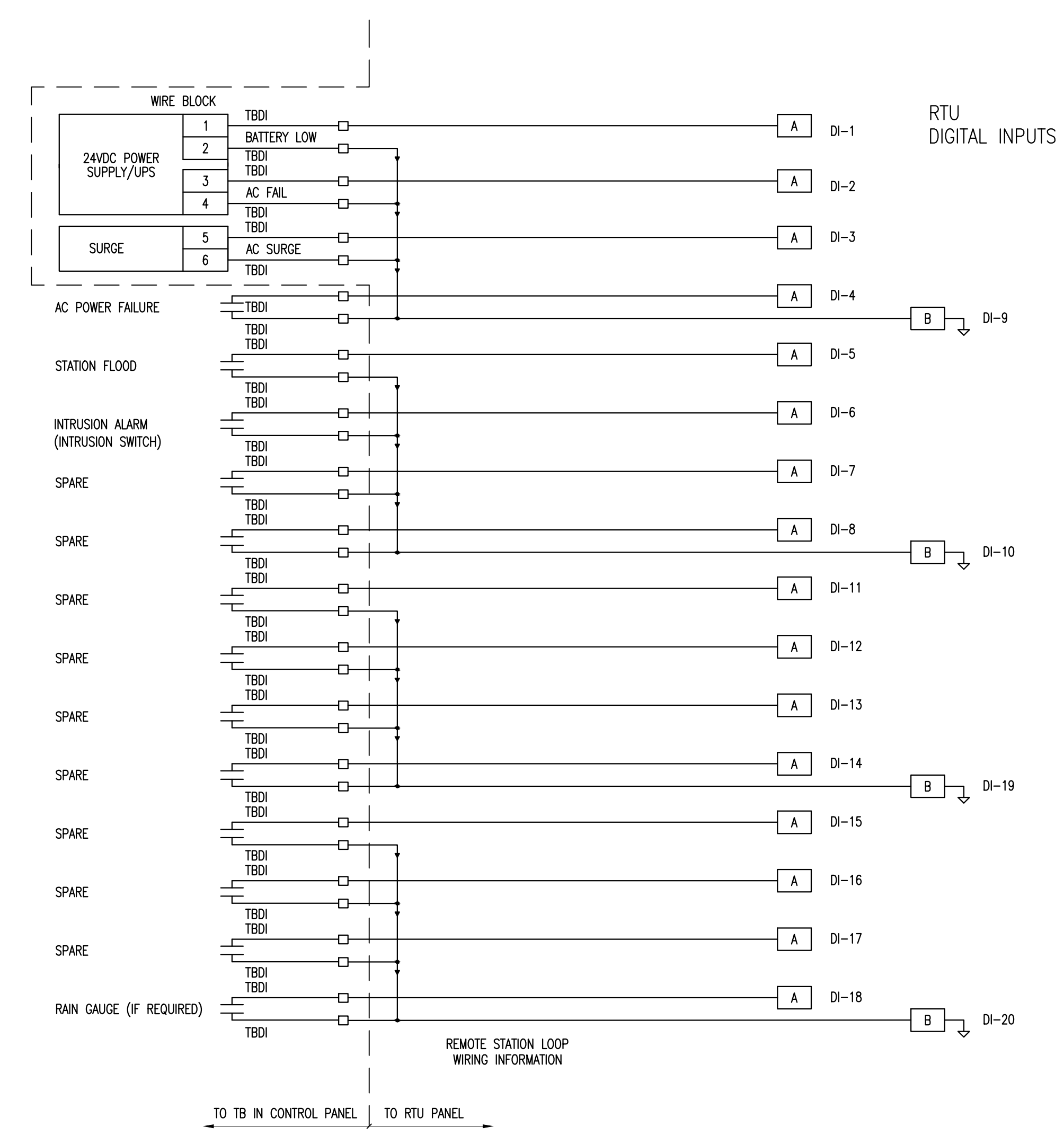


METER FACILITY NAME
OPTIONAL ADDRESS: FLORIDA 33100-0000
 PROJECT TITLE
 CONTRACT / PROJECT No.
 SEWER METER STATION DESIGN GUIDE
 R.T.U. INSTALLATION WIRING DIAGRAMS



- RTU DIGITAL OUTPUTS**
- SCADA SYSTEM NOTES:**
- 1- THE RTU SHALL BE AN EMERSON PROCESS MANAGEMENT PANEL ASSEMBLY MODEL MDPCSWMPAA7
 - 2- THE ANTENNA SHALL BE A 100B, SEVEN ELEMENT YAGI, 890-960 MHz AS MANUFACTURED BY ANDREW CORP. SEE CATALOG COMMSCOPE P/N DB499-K (INCLUDES HARDWARE KIT P/N 018407-003)
 - 3- WIRING TO SCADA RTU PANEL TO BE FURNISHED AND INSTALLED BY CONTRACTOR. TERMINATIONS TO BE PERFORMED BY MD-WASD ELECTRICIANS.
 - 4- PROVIDE IN THE PANEL AT LEAST 20 SPARE TERMINALS, 1 POLE EACH.
 - 5- DIGITAL INPUTS TO SCADA SHALL BE WIRED WITH #14 THIN STR. BLUE.
 - 6- DIGITAL OUTPUTS FROM SCADA SHALL BE WIRED WITH #14 THIN STR. RED.
 - 7- 4-20 MILLIAMPERES DIRECT CURRENT SIGNAL CABLE SHALL BE BELDEN 9341 TWISTED PAIR OR EQUAL INSTALLED IN A SEPARATE CONDUIT.
 - 8- LABEL INTERCONNECTING WIRES ACCORDING TO DRAWING.

DRAWING HISTORY

RELEASED FOR	DATE	BY
REVIEW 00%		
REVIEW 00%		
PERMIT		
BID		
AS-BUILT		

REVISIONS

No.	DESCRIPTION	DATE	BY

APPROVALS

PROJECT MGR:HS	CHECKED: JBF
DESIGNED: VMD	DRAWN: VMD
CHIEF ENGINEER:	
SECTION HEAD:	
UNIT HEAD:	

Xxxx Xxxxx, P.E.
 Xxxxx Engineer
 State of Florida-License No.00000
 Date: _____