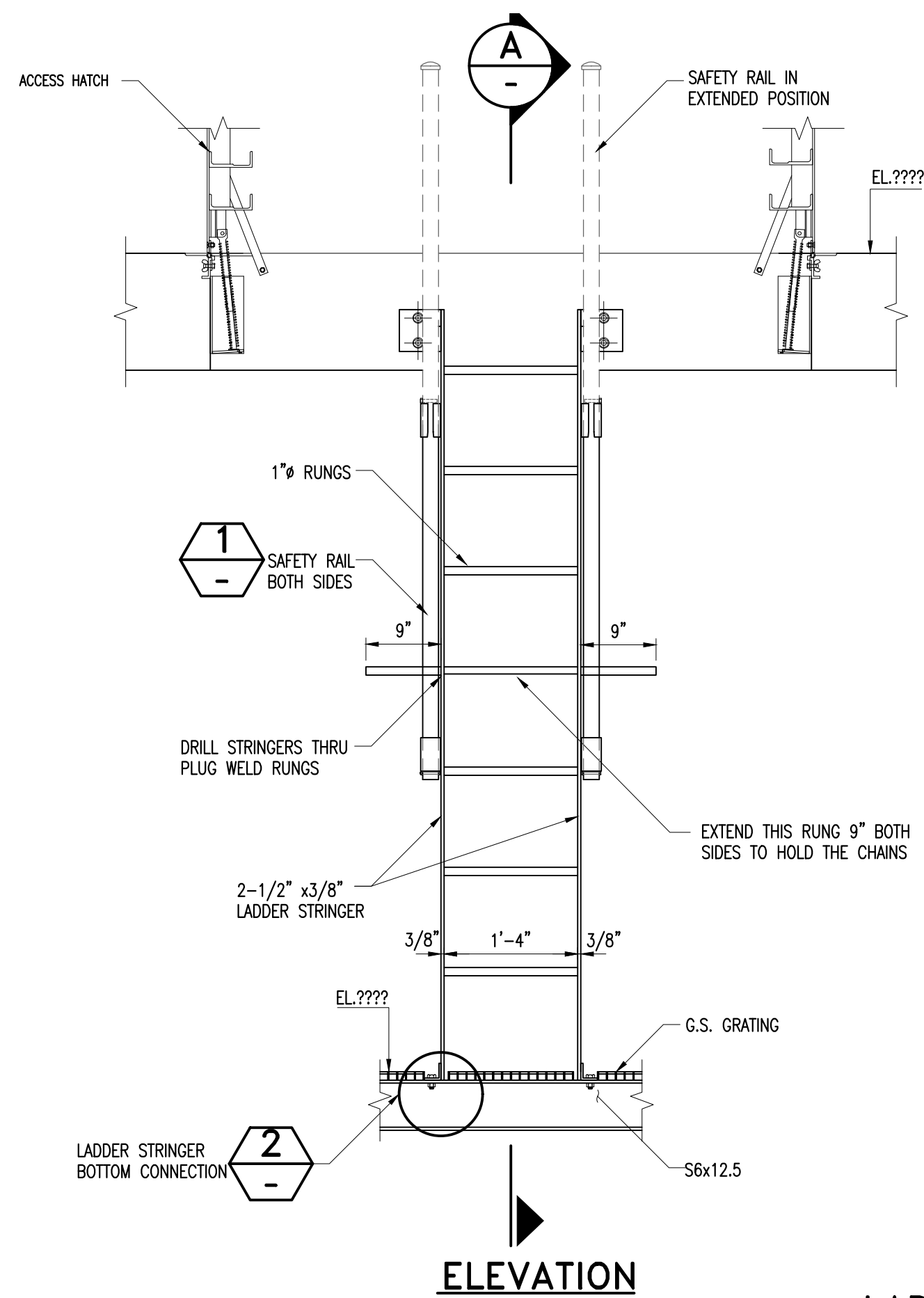
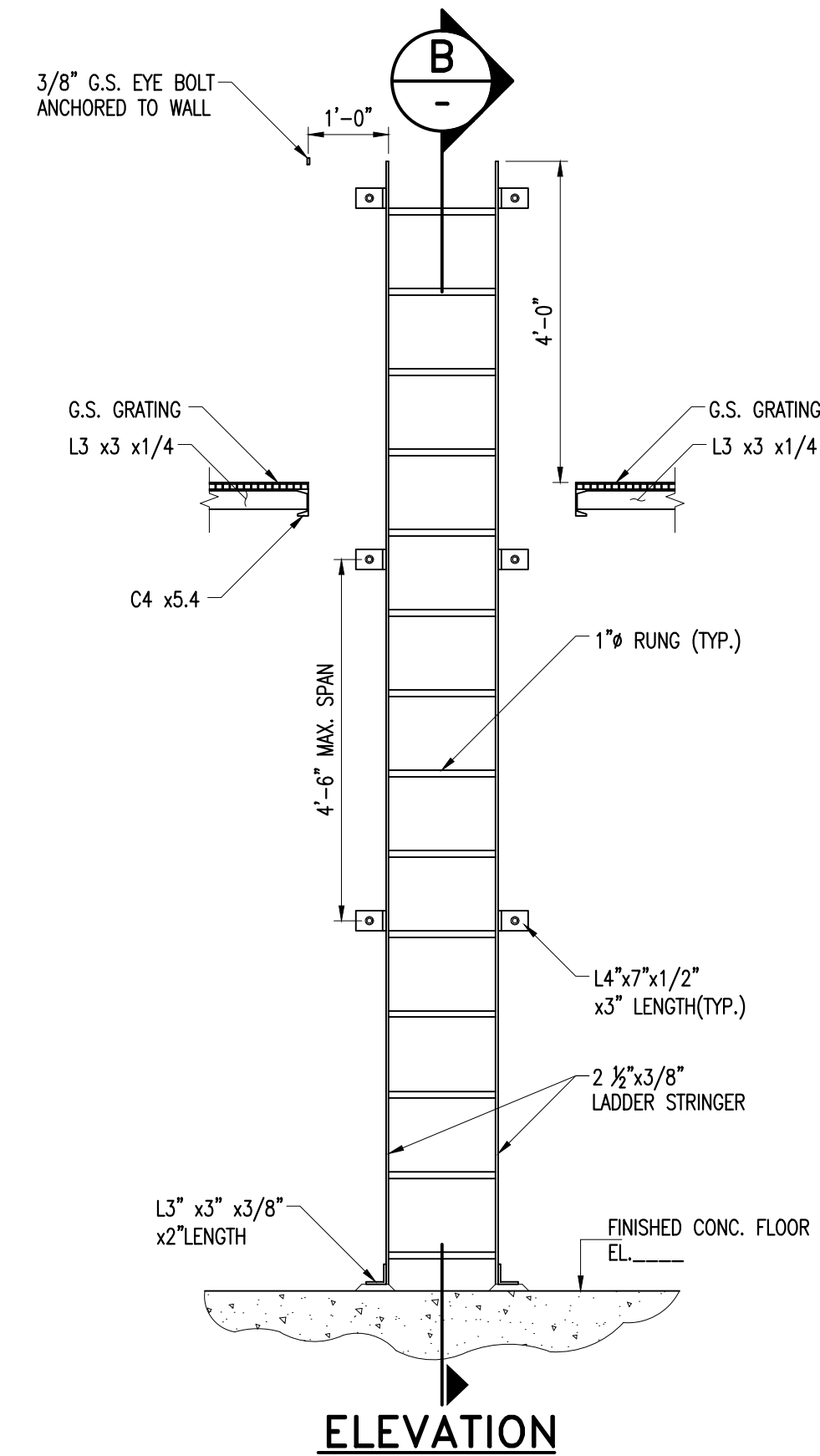
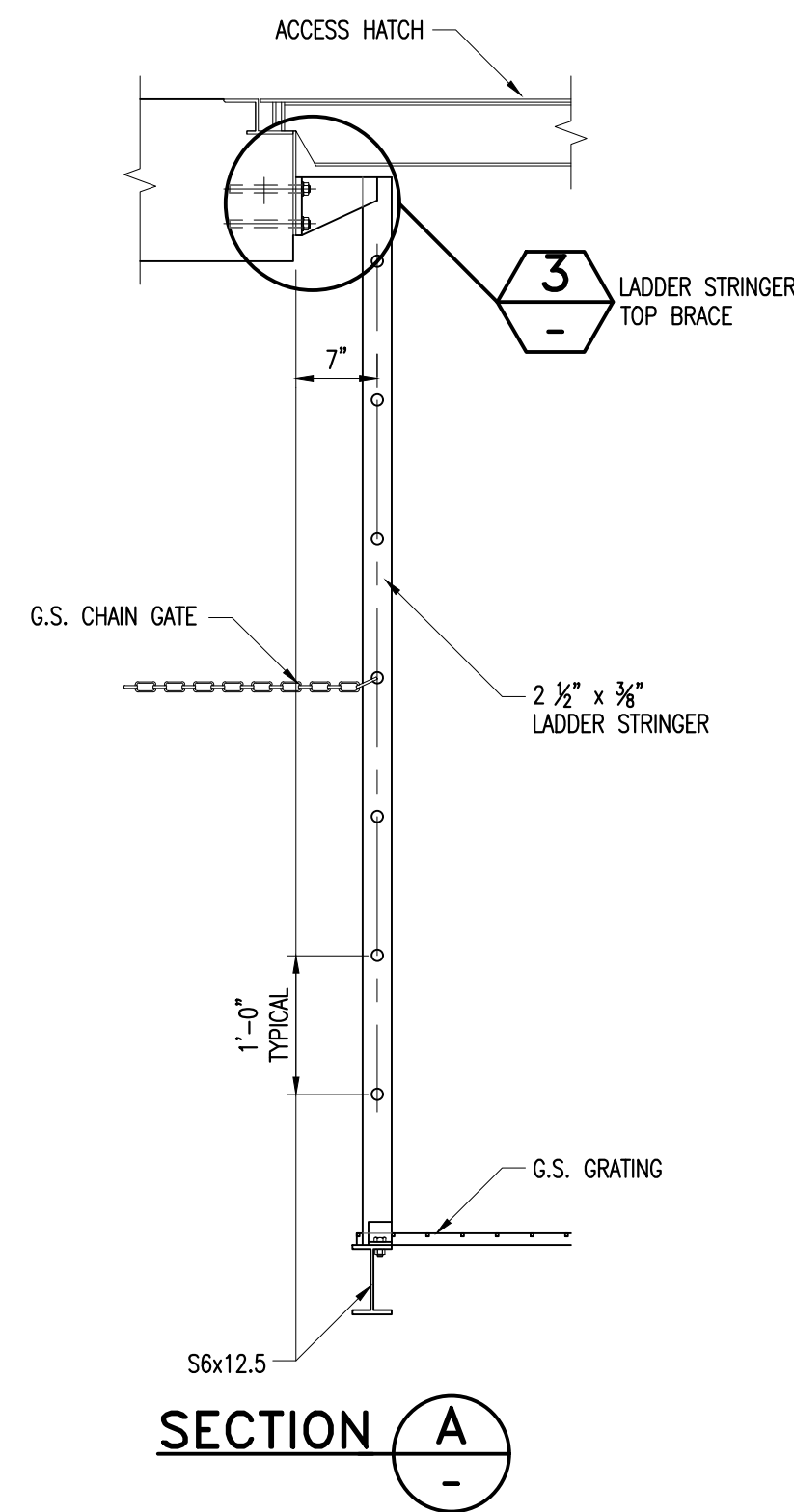


PUMP STATION No. 0000
FACTORY OFFICIAL ADDRESS: FLORIDA 33100-0000
DRY WELL/ WET WELL SEWAGE PUMP STATION
2012 WASD DESIGN STANDARD
LADDER DETAILS

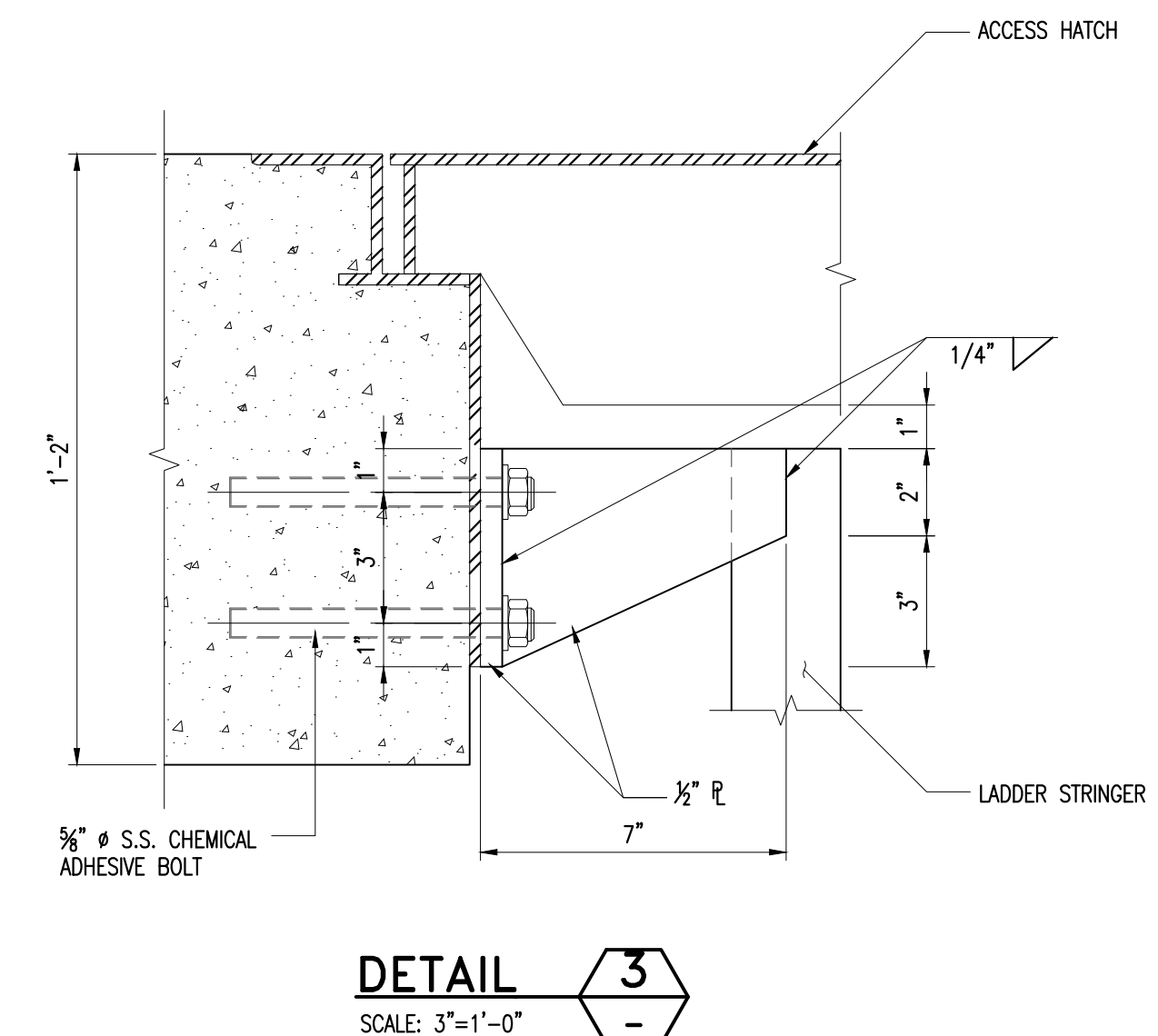
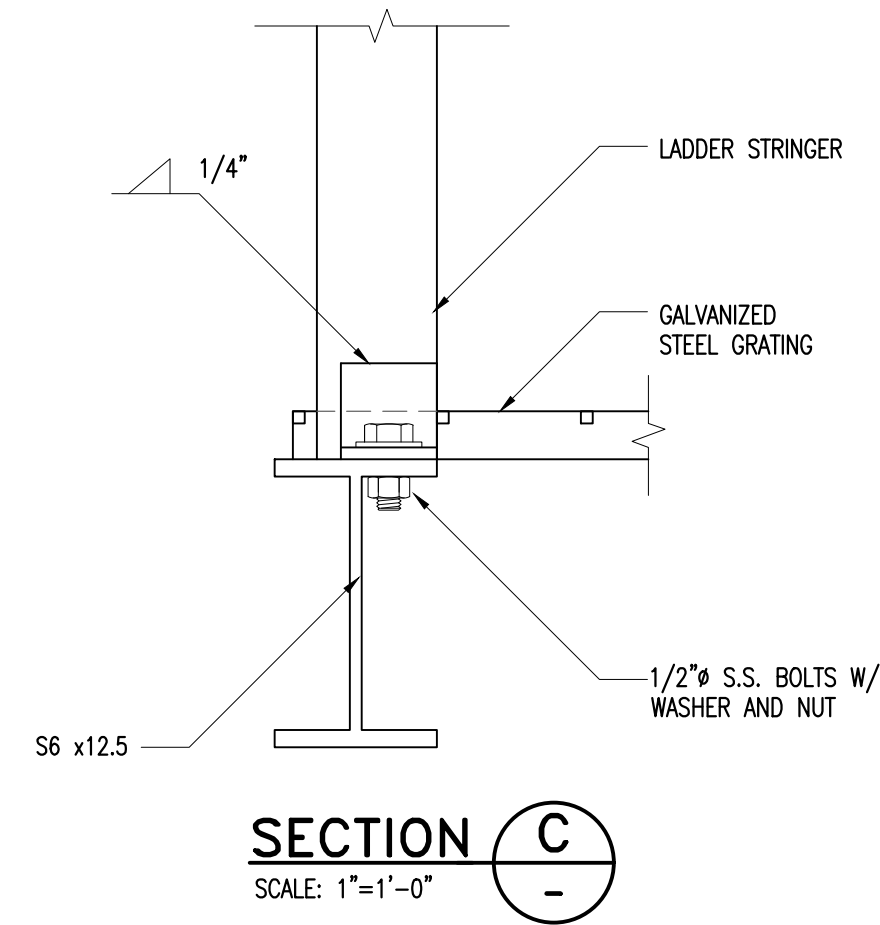
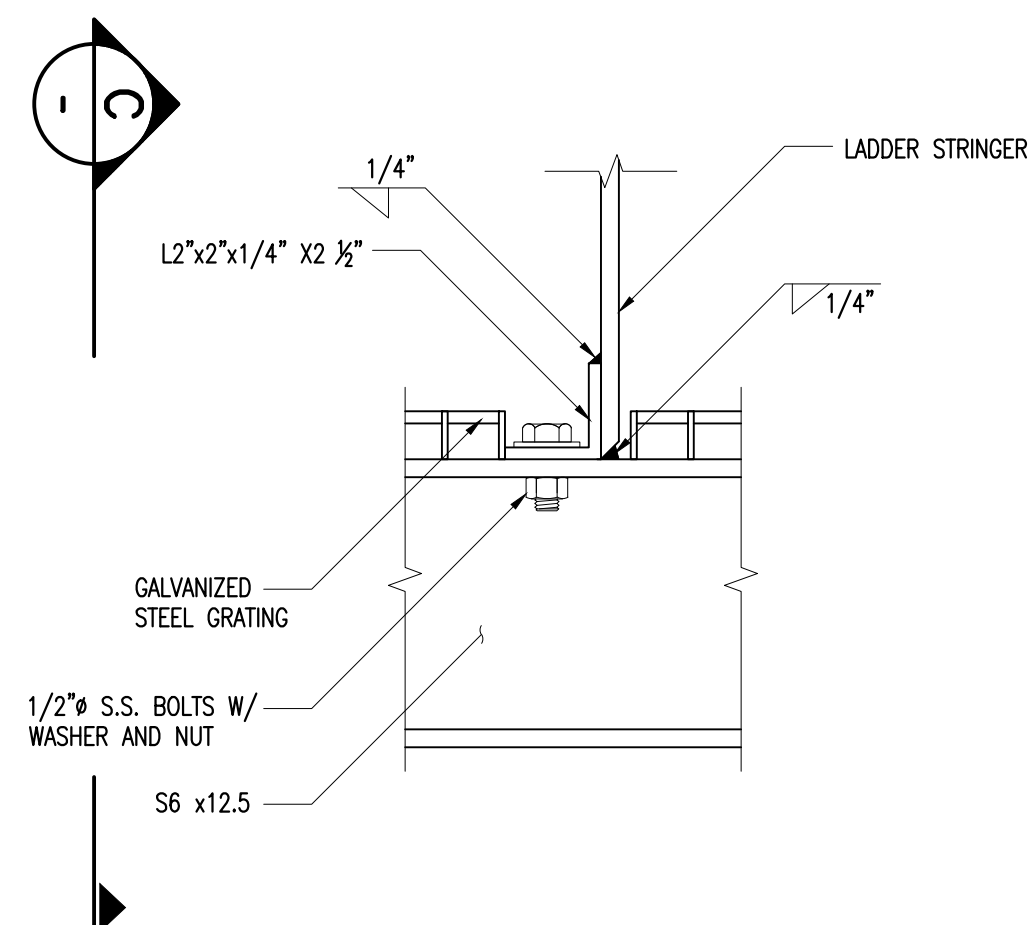
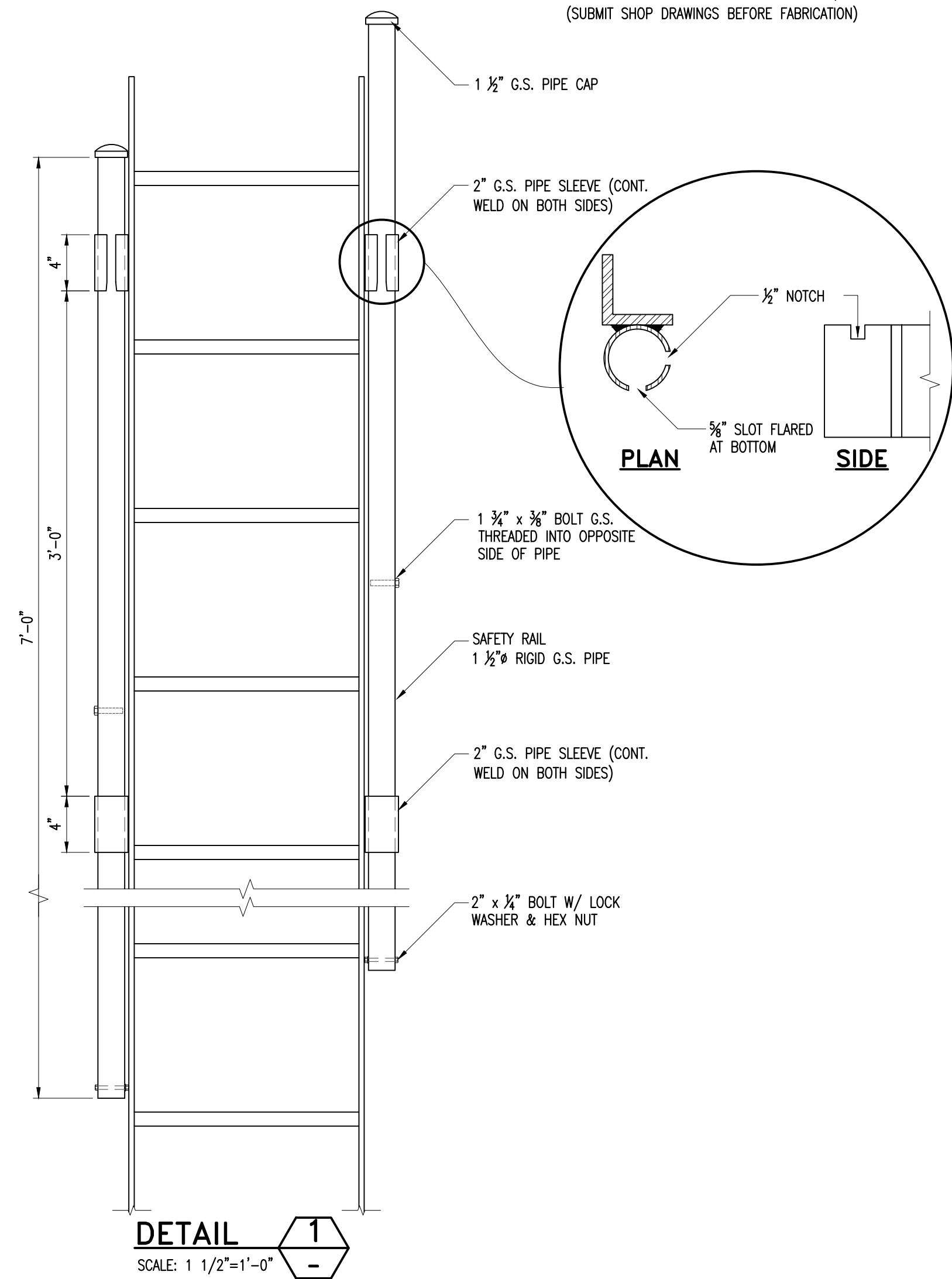
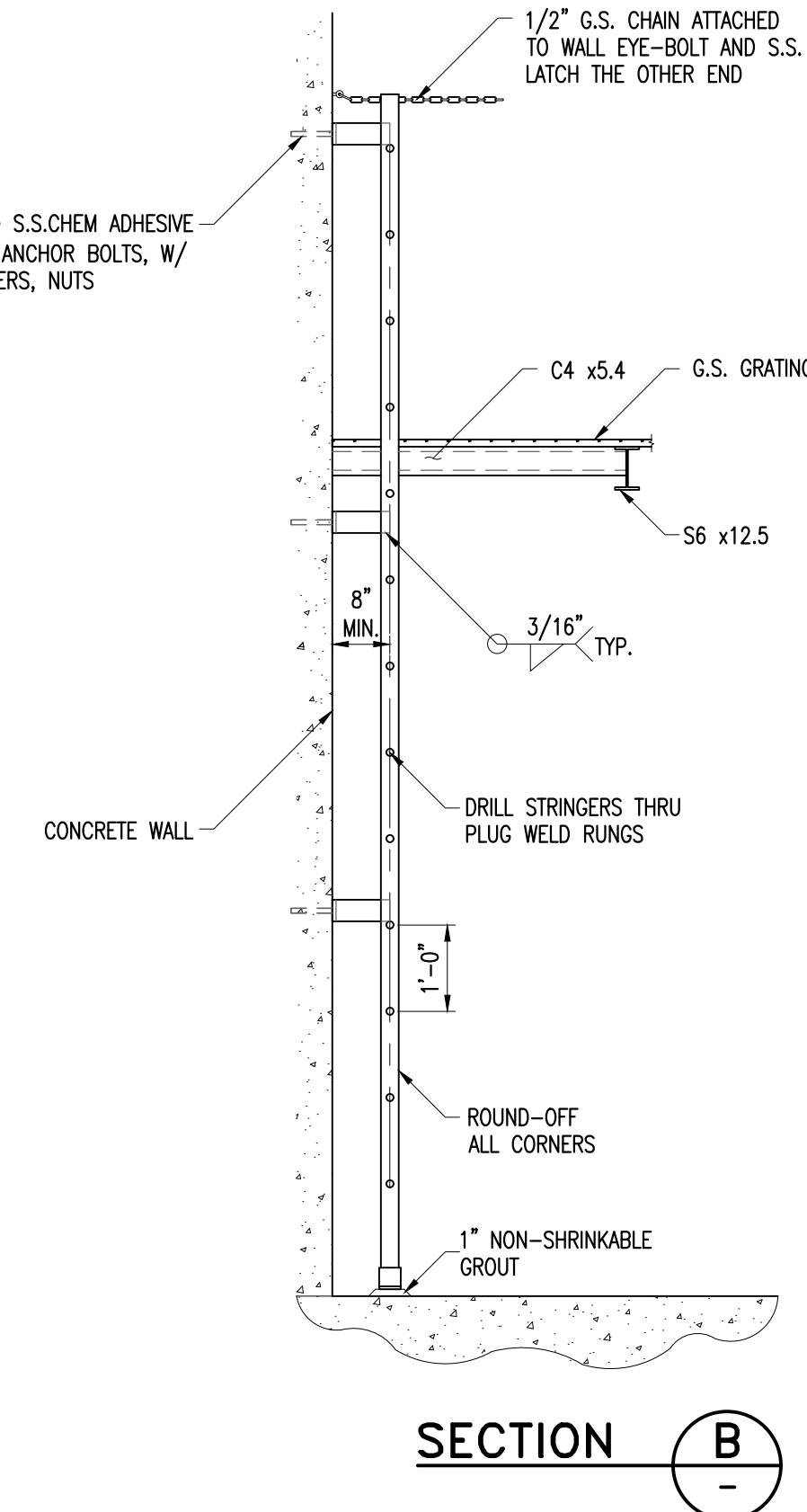
GENERAL NOTE
THESE ARE NOT CONSTRUCTION DRAWINGS, BUT ARE GUIDELINES FOR MINIMUM DESIGN REQUIREMENTS. THE USER SHALL VERIFY AND MODIFY INFORMATION SHOWN HEREON IN ACCORDANCE WITH ALL APPLICABLE CODES AND STANDARDS, TO COMPLY WITH THE REQUIREMENTS OF THEIR DESIGN AND MD-WASD REQUIREMENTS.



LADDER No. 1
SCALE: 3/4"=1'-0"
GALVANIZED STEEL LADDER WITH SAFETY RAIL AS MANUFACTURED BY BILCO OR APPROVED EQUAL (SUBMIT SHOP DRAWINGS BEFORE FABRICATION)



LADDER No. 2
SCALE: 1/2"=1'-0"
GALVANIZED STEEL LADDER WITH SAFETY RAIL AS MANUFACTURED BY BILCO OR APPROVED EQUAL (SUBMIT SHOP DRAWINGS BEFORE FABRICATION)



DRAWING HISTORY

RELEASED FOR	DATE	BY
REVIEW 30%		
REVIEW 70%		
REVIEW 100%		
PERMIT		

REVISIONS

No.	DESCRIPTION	DATE	BY

APPROVALS

CHIEF ENGINEER: _____
SECTION HEAD: _____
PROJECT MGR.: _____
DESIGNED: X.X.X. CHECKED: X.X.X.
DRAWN: X.X.X. FINAL CHECK: X.X.X.

XXXXXXXX XXXXX, P.E.
XXXXXXXXXX Engineer
State of Florida - License No. 00000
Date: _____
ER No. : S00000 PCTS No. : 00000
FILE NAME: 00000S3.DWG
DATE: AUG. 28, 2012 SCALE: AS NOTED
SHEET **S-3**
DWG. No. **S-00000-A**