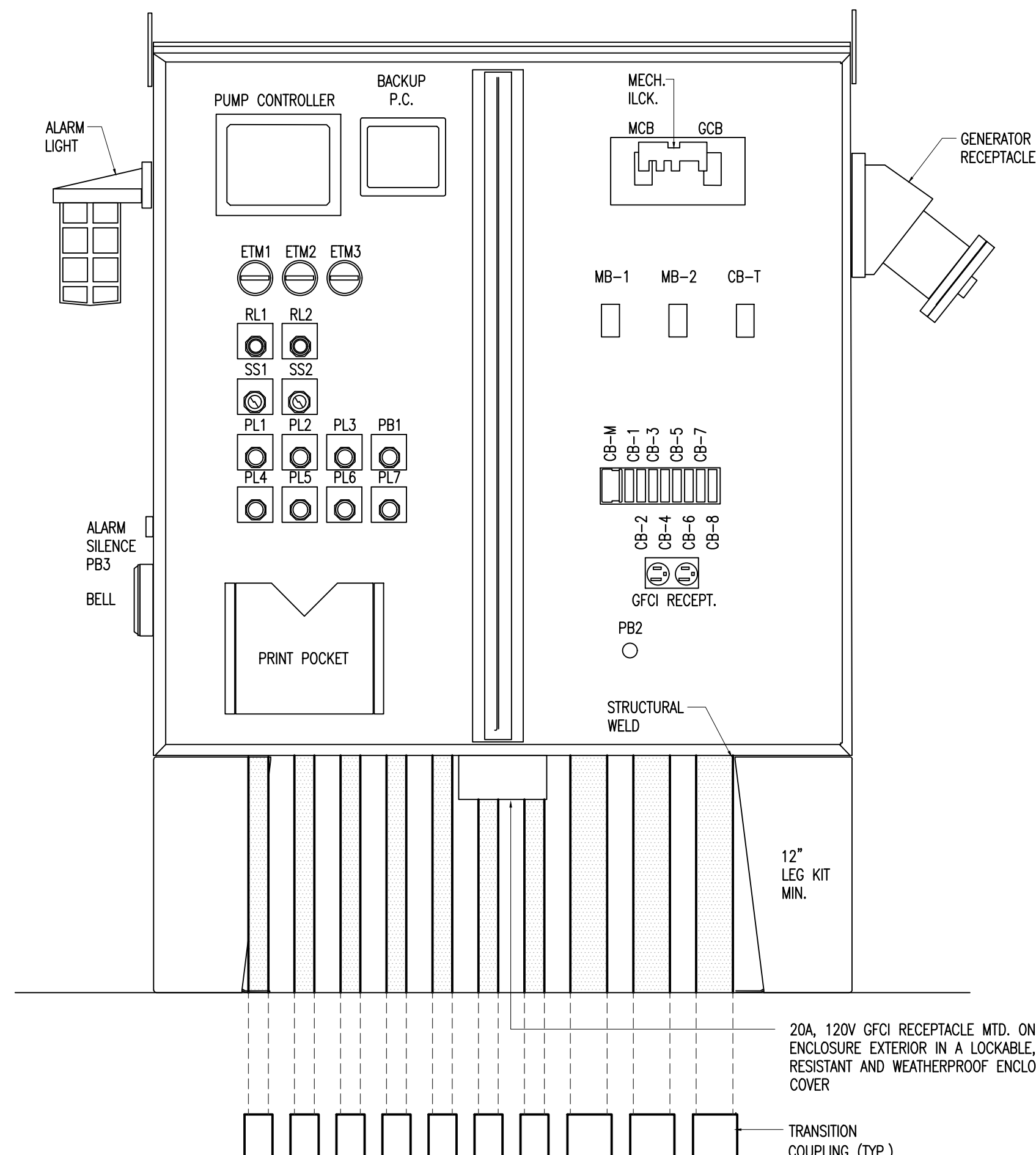


EQUIPMENT ELEVATION

NOT TO SCALE

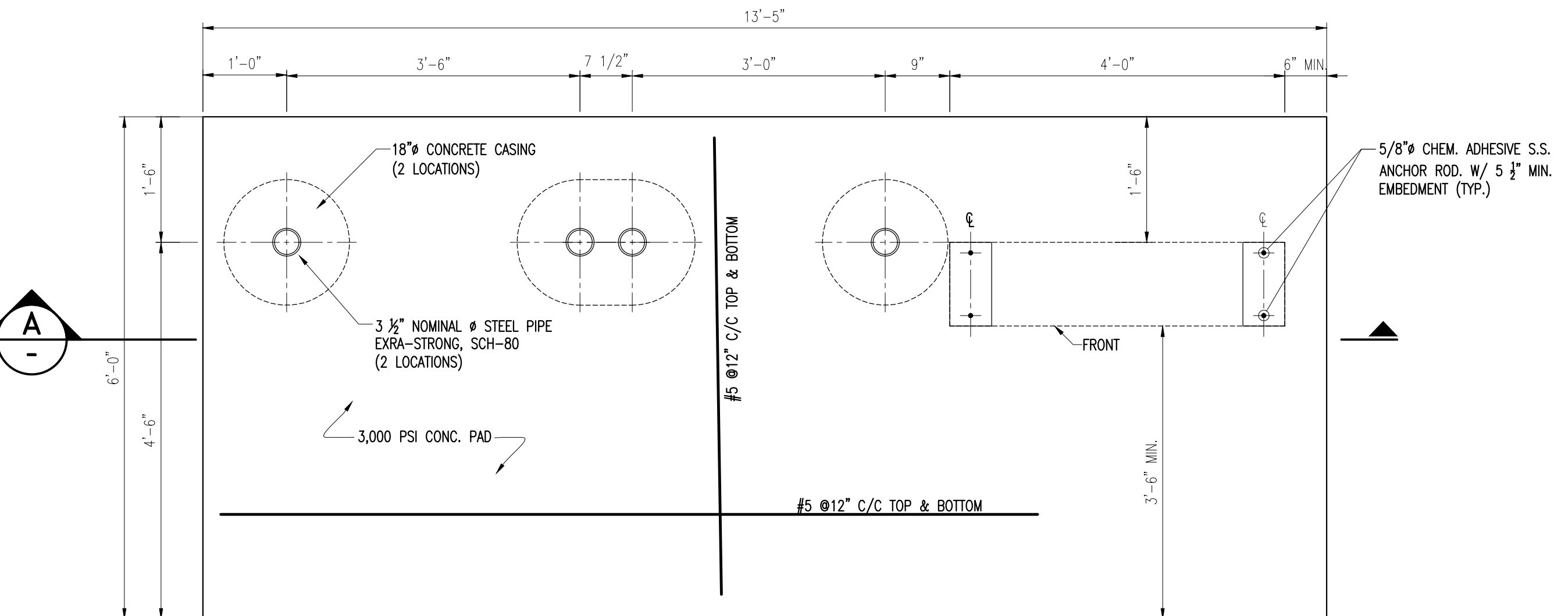
- GROUNDING NOTES:**
- GROUNDING ELECTRODE CONDUCTOR SIZED PER TABLE IN SHEET E-3, IN 1" C. INSTALL BETWEEN SERVICE DISCONNECTING MEANS AND GROUNDING ELECTRODE SYSTEM.
 - 3/4" x 10" DEEP COPPER CLAD GROUND RODS AT LEAST 6' APART.
 - #4 AWG STRANDED BARE SOFT DRAWN COPPER WIRE BONDED TO REINFORCING STEEL IN CONCRETE PAD.
 - STRANDED BARE SOFT DRAWN COPPER GROUND WIRE SIZED PER TABLE IN SHEET E-3. INSTALL 30" DEEP.
 - ALL CABLE-TO-ROD, CABLE-TO-STRUCTURAL REBAR, AND CABLE-TO-CABLE CONNECTIONS SHALL BE MADE USING EXOTHERMIC WELDING (CADWELD) PROCESS.



CONTROL PANEL DETAIL

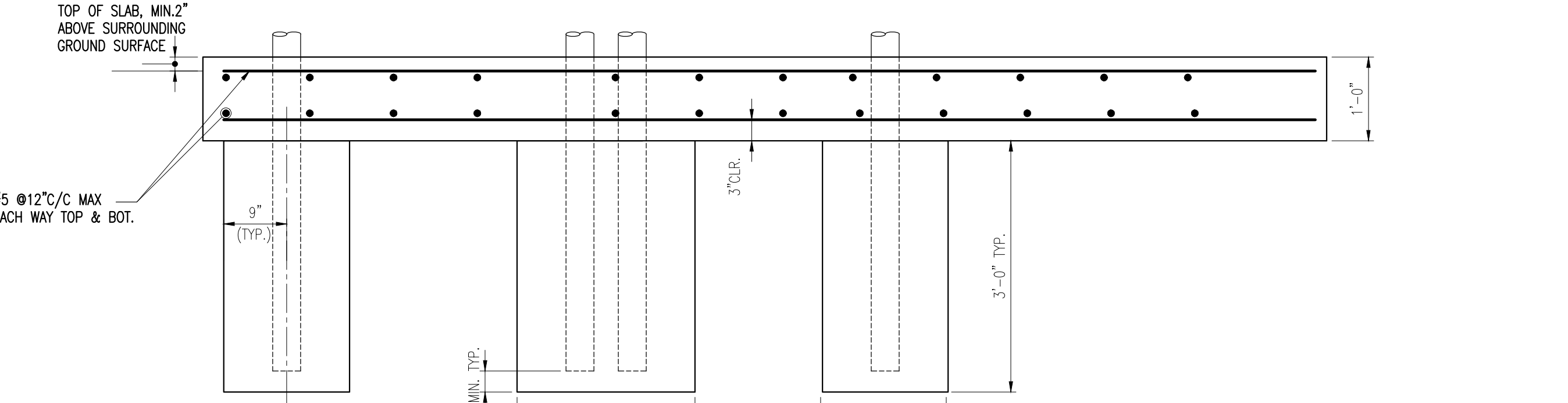
NOT TO SCALE

- NOTES:**
- OUTER DOORS REMOVED TO SHOW DEADFRONT
 - PROVIDE INNER AND OUTER DOOR STOP KITS
 - CONTROL CABINET DEPTH SHALL NOT EXCEED 12 IN.
 - SUPPORTS SHALL MEET LATEST WIND LOAD REQUIREMENTS OF THE LATEST FLORIDA BUILDING CODE
 - TOP OF CONTROL PANEL, RTU, AND ELECTRICAL SERVICE EQUIPMENT SHALL BE AT THE SAME ELEVATION



CONCRETE SLAB AND ANCHORAGE PLAN

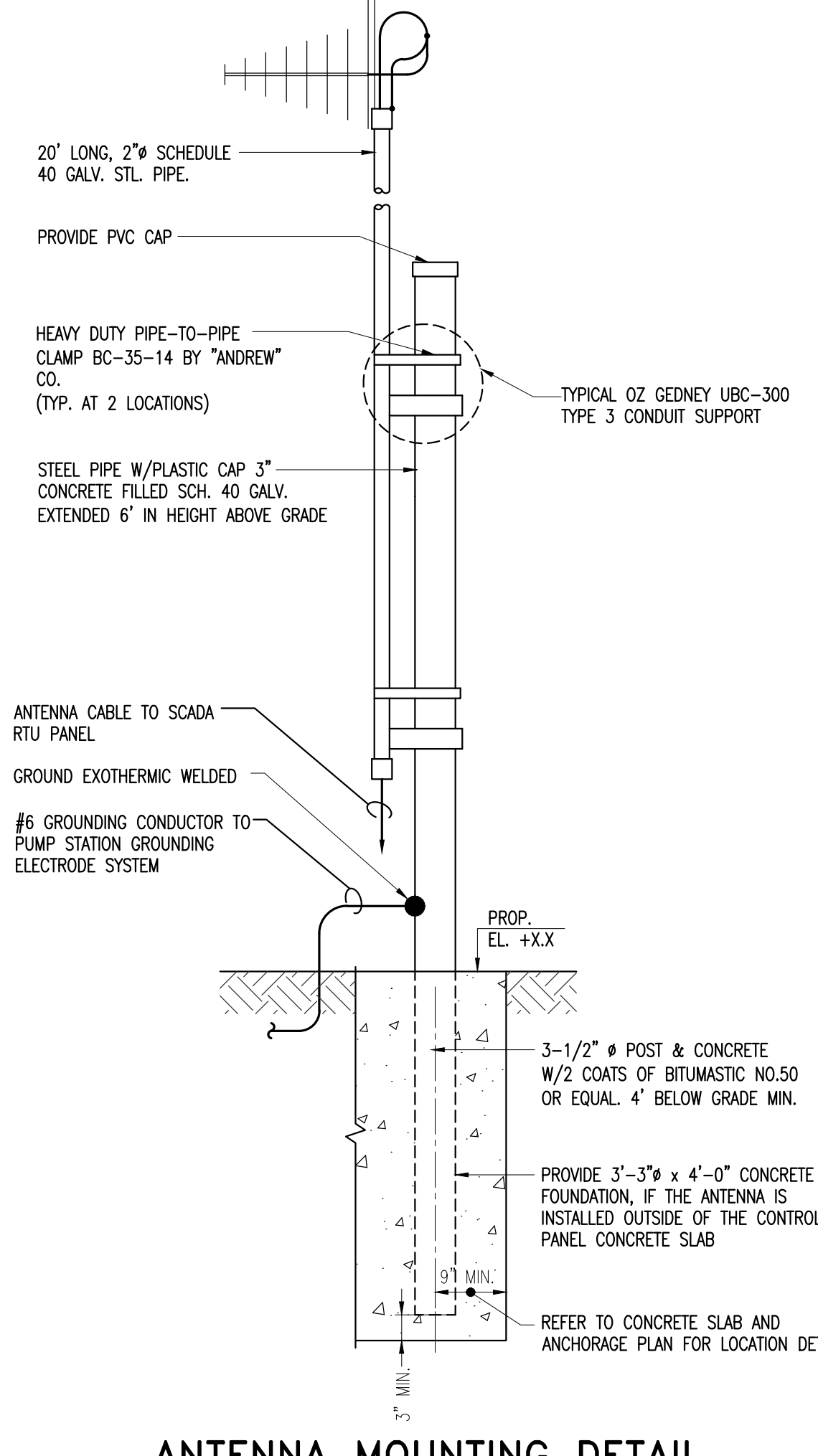
SCALE: 3/4" = 1'-0"



SECTION A

SCALE: 3/4" = 1'-0"

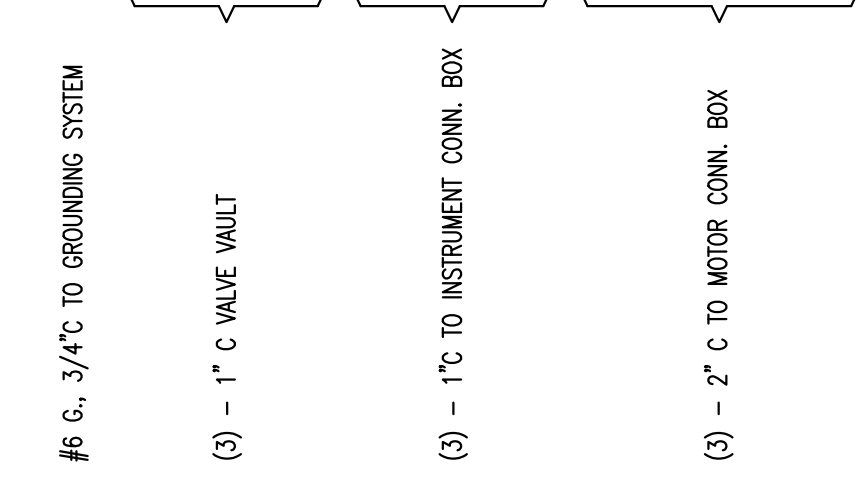
THESE ARE NOT CONSTRUCTION DRAWINGS. THE INFORMATION HEREIN CONTAINED SHALL ONLY BE USED AS GENERAL GUIDELINE OF THE INTENDED OPERATION AND FUNCTIONS AND SHALL NOT BE CONSTRUED AS ALL INCLUSIVE. ENGINEERS OF RECORD AND CONSULTANTS USING THESE GUIDELINES SHALL VERIFY AND MODIFY ANY REQUIREMENT NOT NECESSARILY SHOWN AS MAY BE REQUIRED BY ANY AND ALL APPLICABLE CODES AND STANDARDS.



ANTENNA MOUNTING DETAIL

N.T.S.

- NOTE:**
- RUN ANTENNA WIRE FROM SCADA RTU PANEL TO ANTENNA THROUGH 2" POST.
 - TELEMETRY ANTENNA FOUNDATION IS WSD STANDARD AND COMPLIES WITH FBC CHAPTER 16.



TYPICAL PANEL CONDUIT LAYOUT FOR DRY WELL-WET WELL STATIONS, 2 PUMPS, 480V, 3PH

48 TO 504

- A:** (1) SERVICE CONDUIT FROM MAIN FUSIBLE DISCONNECT OR ATS. SEE NOTE 2.
B: (3) MOTOR FEEDER CONDUITS TO MOTOR SAFETY SWITCH IN DRY WELL FOR MOTOR 1, MOTOR 2 AND SPARE. SEE NOTE 2.
C: (3) 1" CONDUITS TO DRY WELL FOR POWER, SCADA TO TERMINATE IN JUNCTION BOX AND SPARE POWER; LIGHTS AND RECEPTACLES, EXHAUST FAN, DEHUMIDIFIER AND SUMP PUMP, SCADA, STATION FLOOD, DISCHARGE PRESSURE TRANSDUCER AND INTRUSION ALARM.
D: (3) 1" CONDUITS TO CONTROL CONNECTION BOX TO WET WELL, FOR PRESSURE TRANSDUCER, FLOAT BALLS AND SPARE.
E: (3) 1" CONDUIT TO SCADA PANEL (TWO ANALOG SIGNALS & ONE POWER).
F: (2) 1-1/2" CONDUITS TO SCADA PANEL. (DIGITAL SIGNALS)
G: (2) 1" CONDUITS TO STEP DOWN SINGLE PHASE TRANSFORMER. APPLICABLE TO 480V, 3 PHASE SERVICE ONLY. *(TO BE OMITTED FOR 240V)
H: (1) 1" CONDUIT FOR STATION CONTROL PANEL GROUNDING WELDED TO GROUND ROD.
- NOTES:**
- STATION CONTROL PANEL TYPICAL CONDUIT LAYOUT FOR 2 PUMPS 60 HP MAXIMUM.
 - REFER TO APPROVED DESIGN DRAWINGS FOR SPECIFIED CONDUIT SIZE.
 - 16" LEGS NOT SHOWN FOR BETTER APPRECIATION.
 - MINIMUM DISTANCE BETWEEN CONDUITS TO BE 2".
 - MOTOR FEEDER CONDUITS TO LINE UP WITH RESPECTIVE STARTER TERMINALS.

MIAMI-DADE COUNTY
 Delivering Excellence Every Day
WATER & SEWER DEPARTMENT
 3071 SW 38TH AVENUE
 MIAMI, FL 33146-1520
 305-665-7471
 www.miamidade.gov/water
UTILITY ENGINEERING & CONSTRUCTION DIV.
 3575 SOUTH LE JEUNE ROAD
 MIAMI, FL 33133
 786-552-4440

PCTS 0000/CONTRACT X-000 or RPQ/ERX00000
PUMPING STATION No. 0000 (STD. UPDATE 2019)
SUBMERSIBLE PUMPING STATION WITHOUT GEN.
 PROJECT OFFICIAL ADDRESS
ELECTRICAL CONTROL PANEL AND DETAILS

DRAWING HISTORY

RELEASED FOR	DATE	BY
X REVIEW 00%	xx/xx/xx	xxx
X REVIEW 00%	xx/xx/xx	xxx
PERMIT		
BID		
AS-BUILT		

REVISIONS

No.	DESCRIPTION	DATE	BY
Δ XXXXXX	XXXXXX	xx/xx/xx	xxx
XXXXXX	XXXXXX	xx/xx/xx	xxx

APPROVALS

DESIGNED: X.X.X. DRAWN: X.X.X.
 UNIT HEAD: X.X.X.
 PROJECT MGR.: X.X.X.

FILE NAME: XXXXXX05.DWG
 DATE: xx/xx/20xx SCALE: AS NOTED
 SHEET **E-5**
 DWG. No. **S-00000-D**