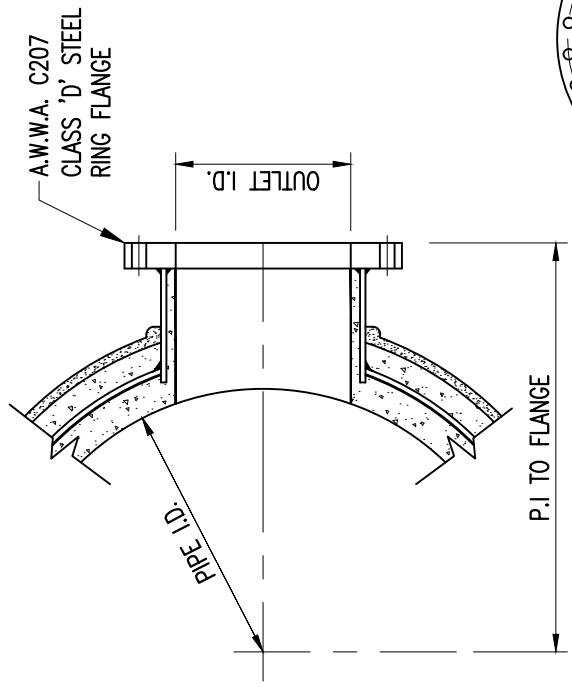
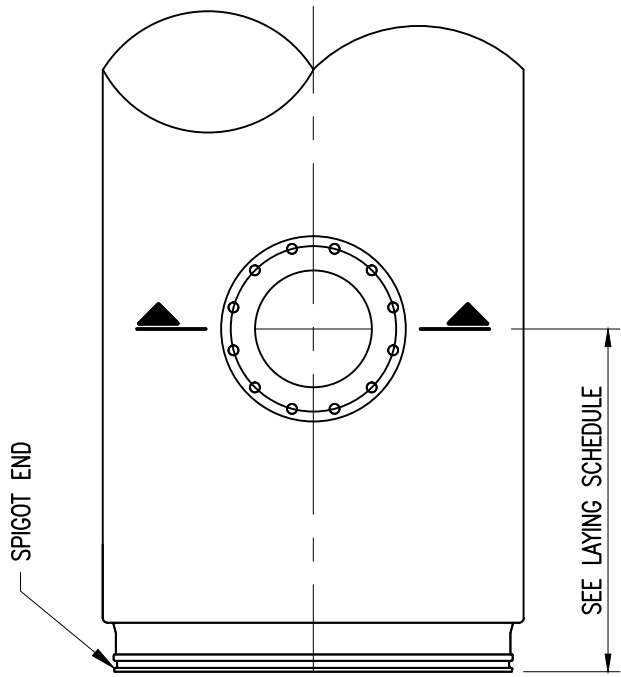
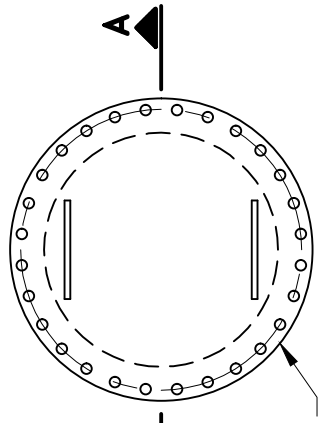


<u>ISSUE DATE</u>	<u>APPROVED BY</u>
11/01/2006	V.E.F.
07/20/2016	D.V.

STANDARD DETAIL
FLANGED OUTLET FOR ACCESS

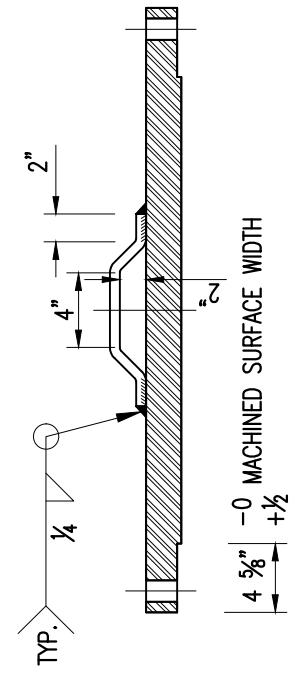


SECTION



LIFTING LUG (2 REQ.)
 1/2" DIA. x 14" LONG ROD

BLIND FLANGE WITH LIFTING HANDLES



SECTION A-A

NOTES:

1. ALL EXPOSED STEEL (EXCEPT FLANGE FACE AND BOLT HOLES) PAINTED WITH PROTECTIVE COATING.
2. FLANGE FACE AND BOLT HOLES PAINTED WITH ZINC RICH PAINT.
3. FLANGE BOLT HOLES STRADDLE VERTICAL CENTERLINE.

PIPE SIZE	OUTLET SIZE										
	30"	36"	42"	48"	54"	60"					
36"											
42"											
48"		3.44'									
54"		3.74'									
60"		4.03'	4.14'								
66"		4.32'	4.43'	4.49'							
72"		4.61'	4.72'	4.78'							
78"		4.90'	5.02'	5.07'	5.10'						
84"		5.19'	5.31'	5.36'	5.39'	5.50'					
90"		5.44'	5.56'	5.61'	5.64'	5.75'	5.78'				
96"		5.73'	5.84'	5.90'	5.94'	6.04'	6.07'				

ITEM	CROSS REF.	SPEC. REF.