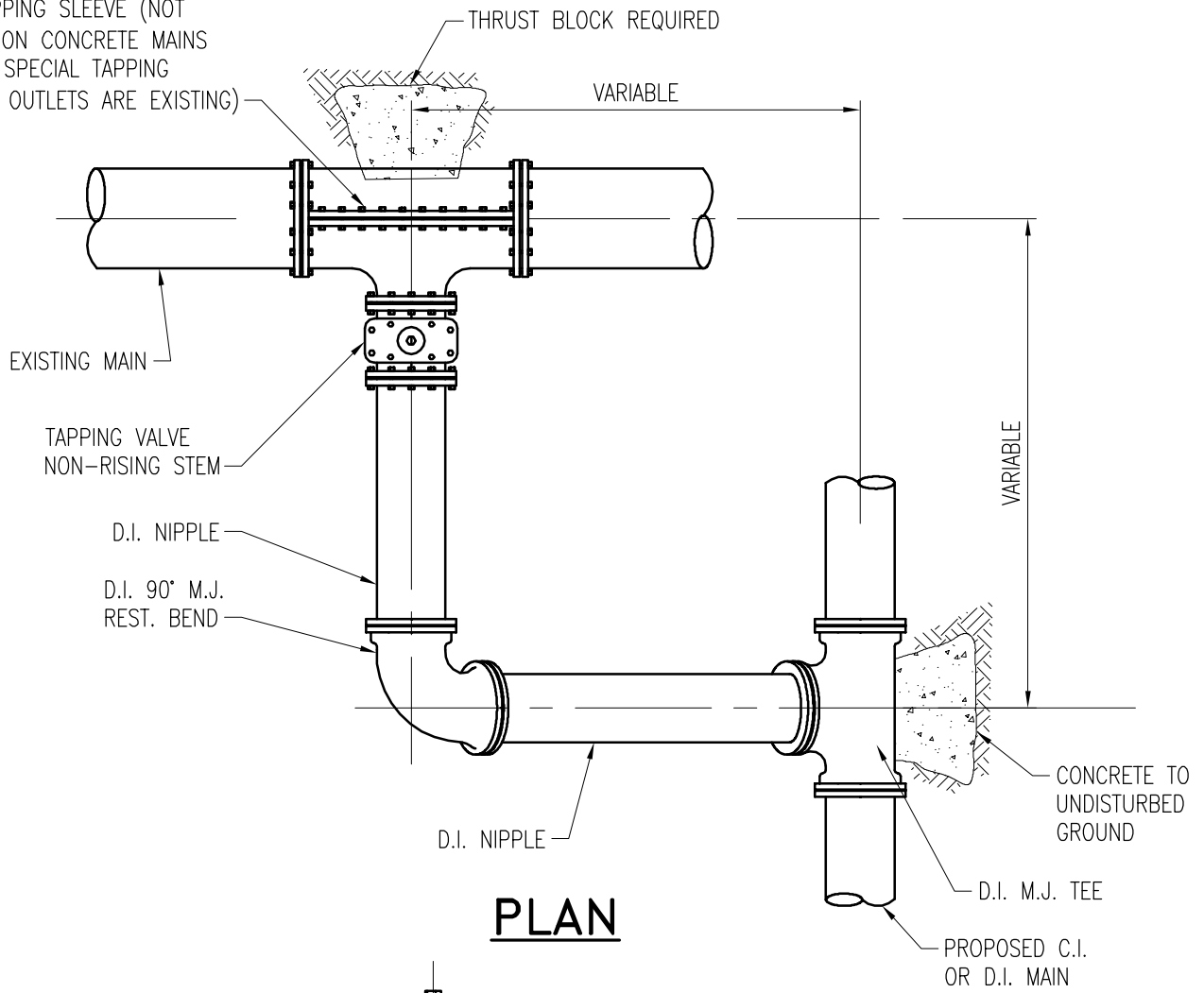
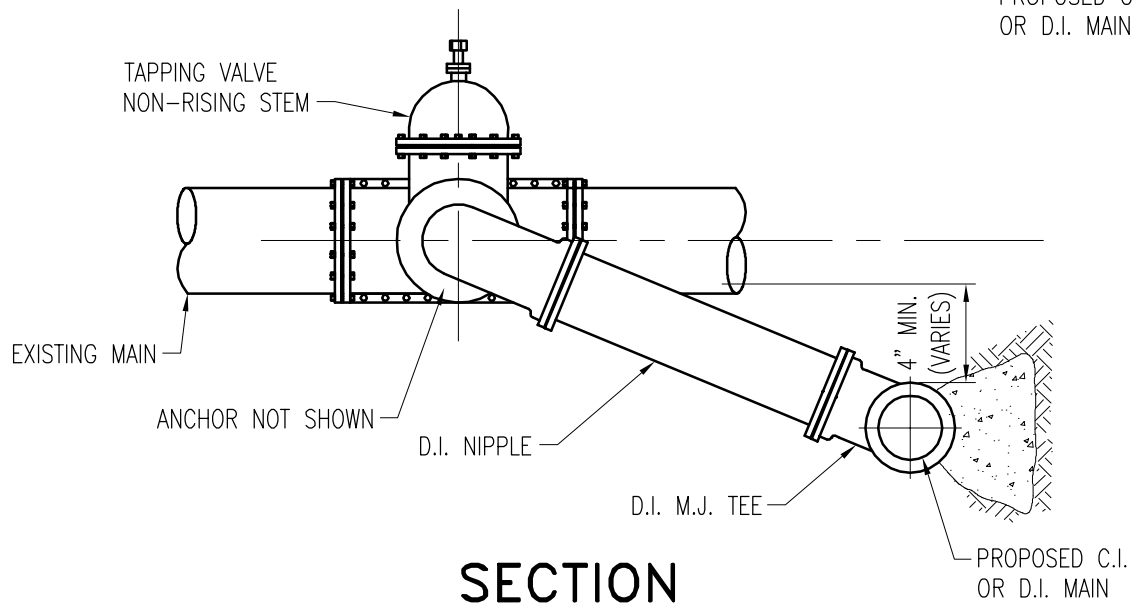


D.I. TAPPING SLEEVE (NOT REQ'D. ON CONCRETE MAINS WHERE SPECIAL TAPPING FLANGE OUTLETS ARE EXISTING)



**PLAN**



**SECTION**

**NOTE:**

1. ALL PIPE AND FITTINGS TO BE RESTRAINED.

ITEM	CROSS REF.	SPEC. REF.



ISSUE DATE	APPROVED BY
06/20/2008	V.F.C.

STANDARD DETAIL  
TYPICAL CONNECTION TO EXISTING MAIN

WS  
4.12  
SHEET 1 OF 2