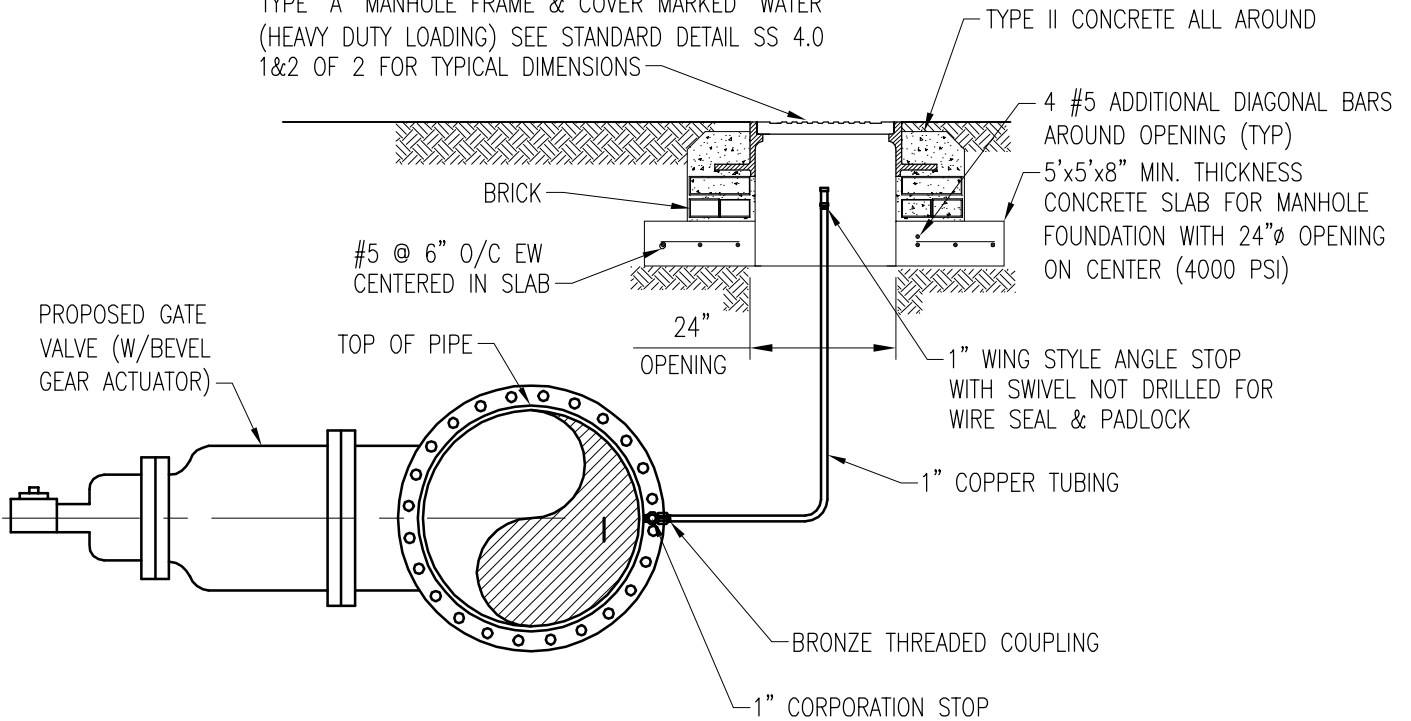


**PLAN**

TYPE "A" MANHOLE FRAME & COVER MARKED "WATER"  
(HEAVY DUTY LOADING) SEE STANDARD DETAIL SS 4.0  
1&2 OF 2 FOR TYPICAL DIMENSIONS



**SECTION** A

**NOTE:**

FOR GRASS AREAS, ADD A REINFORCED CONCRETE SLAB COLLAR AROUND M.H. FRAME AS PER STANDARD DETAIL SS 21.0, 1 OF 1.

MANHOLE/VALVE BOX IN GRASS AREA	SS 21.0	
TYPE "A" MANHOLE COVER & FRAME	SS 4.0	
ITEM	CROSS REF.	SPEC. REF.



ISSUE DATE	APPROVED BY
06/01/2008	V.F.C.

STANDARD DETAIL  
LEAK DETECTOR/SAMPLING PORT  
ASSEMBLY DETAIL  
FOR CANAL CROSSINGS

WS  
3.13  
SHEET 1 OF 1