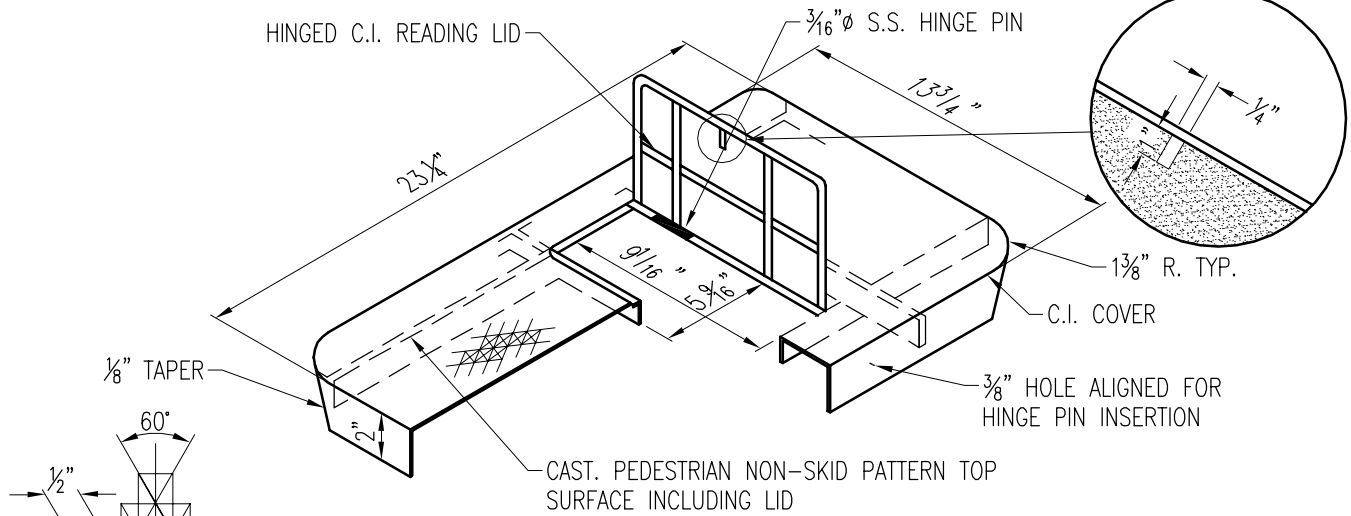
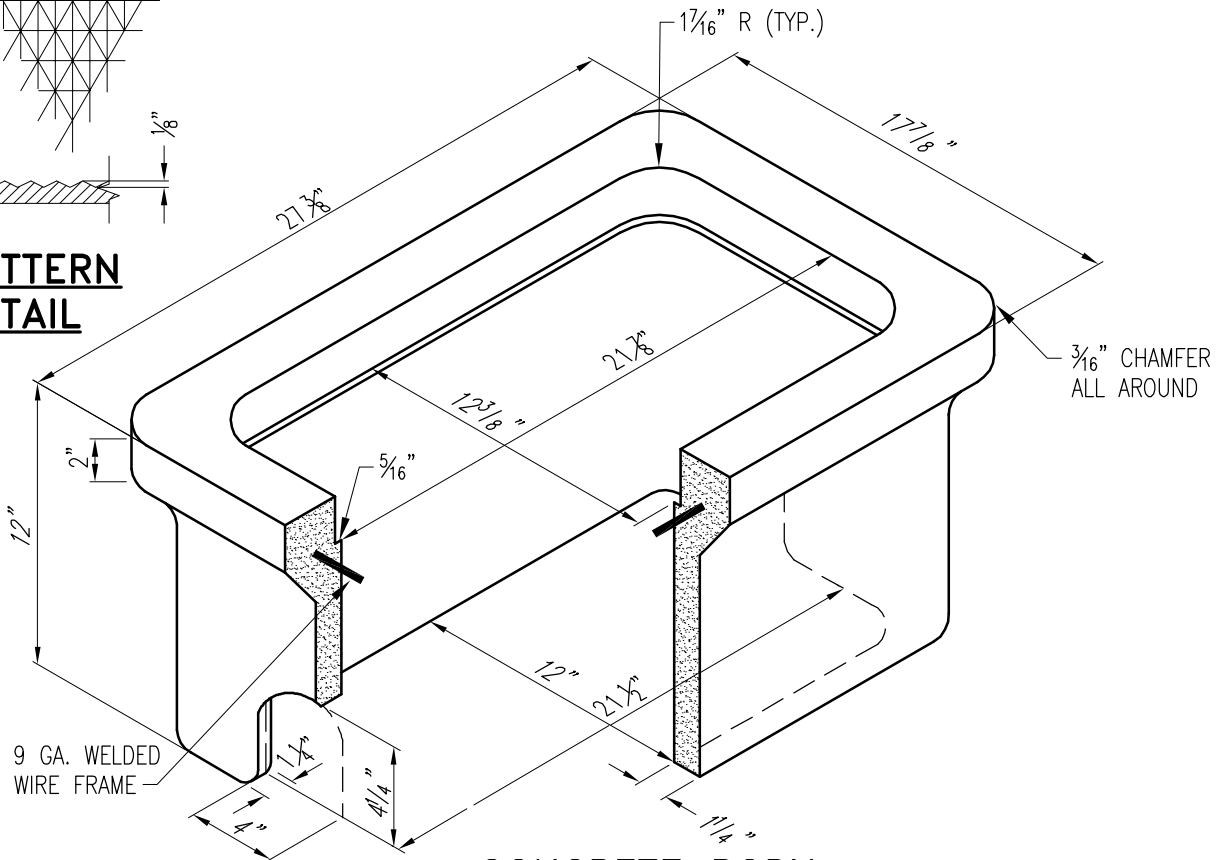
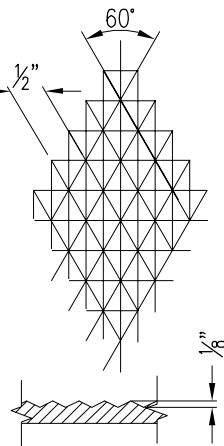


PICKHOLE DETAIL



C.I. COVER WITH HINGER LID

PATTERN DETAIL



CONCRETE BODY

NOTES:

- SOME DIMENSIONS MAY VARY WITH DEPARTMENT APPROVAL.
LID W.T.= MAX. 53 LBS., MIN. 42 LBS.
- METERS WILL NOT BE INSTALLED IF THE METER BOX IS IN A DRIVING SURFACE.

1" SERVICE CONNECTION	WS 4.11	
TYPICAL SERVICE PLAN	WS 4.10	
ITEM	CROSS REF.	SPEC. REF.