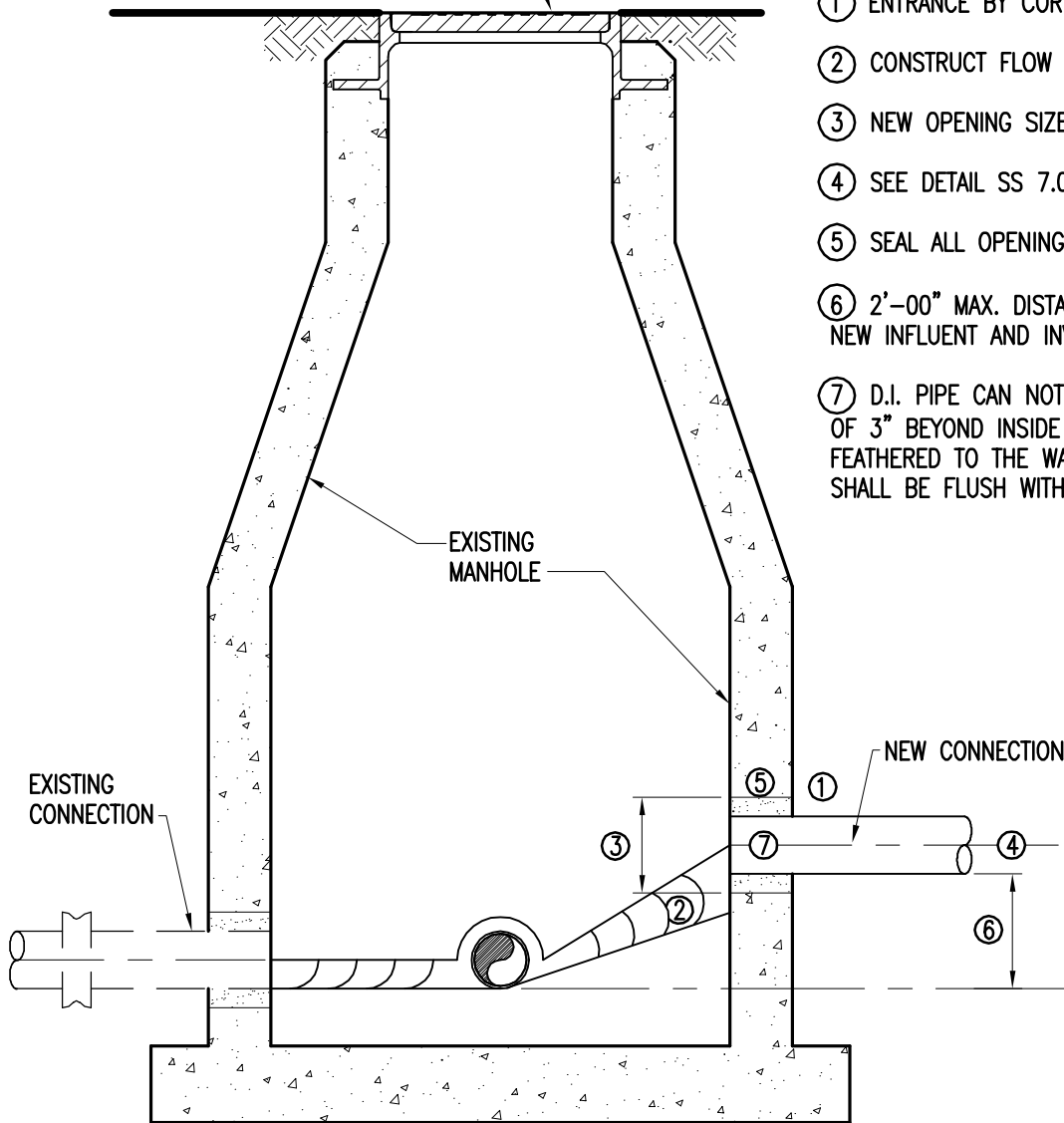


TYPE "A" COVER AND FRAME

INDEX

- ① ENTRANCE BY CORE DRILLING ONLY.
- ② CONSTRUCT FLOW CHANNELS AS PER SS 10.0
- ③ NEW OPENING SIZE TO BE AT THE PIPE OD+4
- ④ SEE DETAIL SS 7.0 FOR PIPING ARRANGEMENT.
- ⑤ SEAL ALL OPENINGS WITH NON-SHRINK GROUT.
- ⑥ 2'-00" MAX. DISTANCE BETWEEN INVERT OF NEW INFLUENT AND INVERT OF EXISTING MANHOLE.
- ⑦ D.I. PIPE CAN NOT EXTEND MORE THAN A MAX. OF 3" BEYOND INSIDE WALL AND MUST BE FEATHERED TO THE WALL WITH CEMENT. P.V.C. PIPE SHALL BE FLUSH WITH INSIDE WALL OF MANHOLE.



THE MIAMI-DADE WATER AND SEWER DEPARTMENT MUST BE NOTIFIED 2 BUSINESS DAY BEFORE CONNECTION IS MADE.

SHALLOW MANHOLE	SS 7.0	
STANDARD MANHOLE	SS 6.0	
FLOW PATTERNS	SS 10.0	
MANHOLE COVER	SS 4.0	
ITEM	CROSS REF.	SPEC. REF.



ISSUE DATE	APPROVED BY
11/01/2006	V. E. F.

STANDARD DETAIL
NEW CONNECTION TO EXISTING MANHOLE
 (WHERE NO STUB-OUT EXISTS)

SS
6.2
 SHEET 1 OF 1