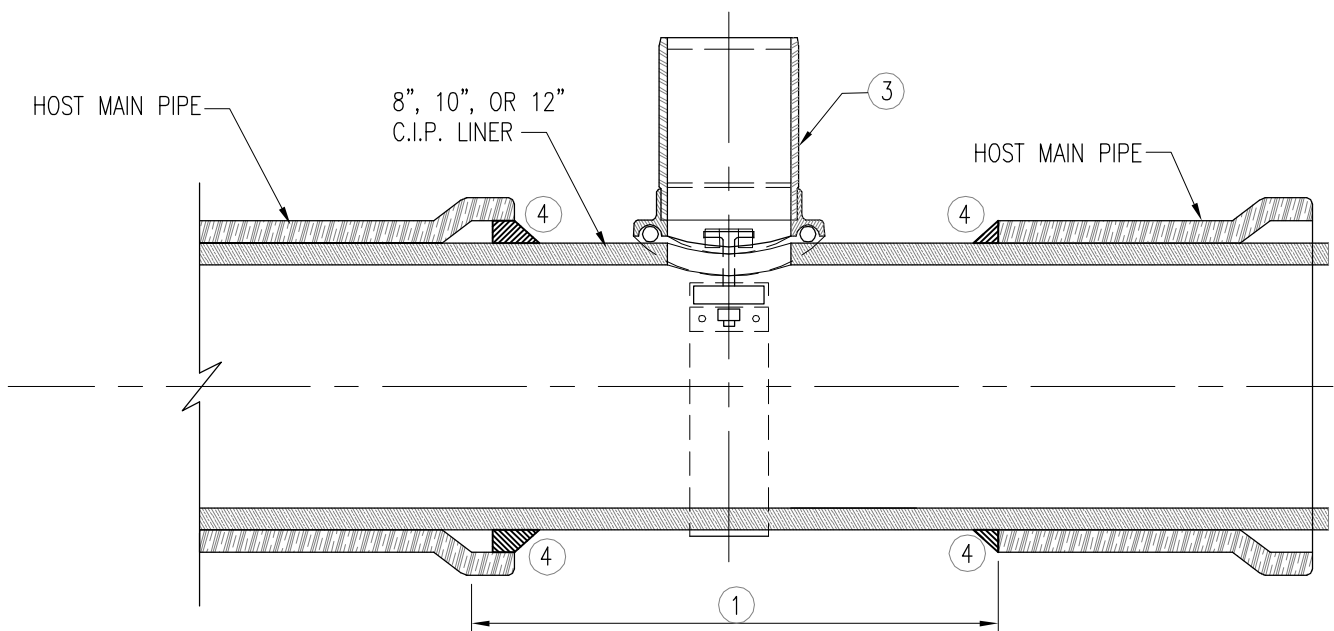
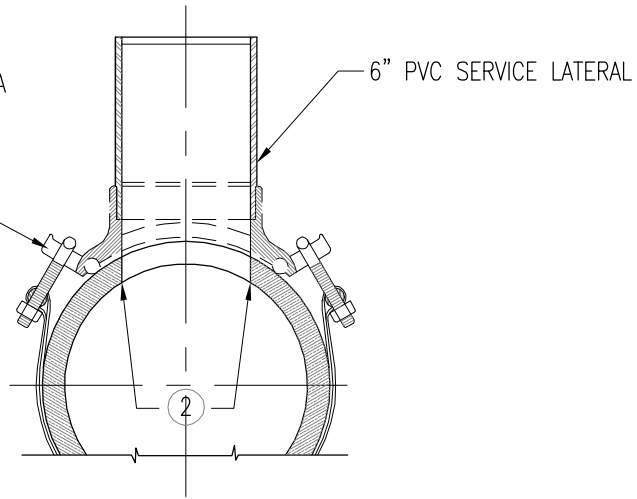


GRAVITY SEWER SADDLE
 TYPE "PVC/U" MODEL U-90A
 FROM "THE GENERAL
 ENGINEERING COMPANY"
 1-800-345-6454



LEGEND:

- ① CUT & REMOVE SECTION OF HOST PIPE WHERE SERVICE CONNECTION IS TO BE MADE.
- ② CUT HOLE FOR LATERAL WITH DIAMETER EQUAL TO INSIDE DIAMETER OF THE CUT IN MAIN SEWER WITH POWER TOOL.
- ③ CONNECT 6" PVC SEWER LATERAL BY U-90A SADDLE.
- ④ SEAL THE PIPE CUTS WITH HYDRAULIC CEMENT.

ISSUE DATE	APPROVED BY
02/11/2009	V.F.C.