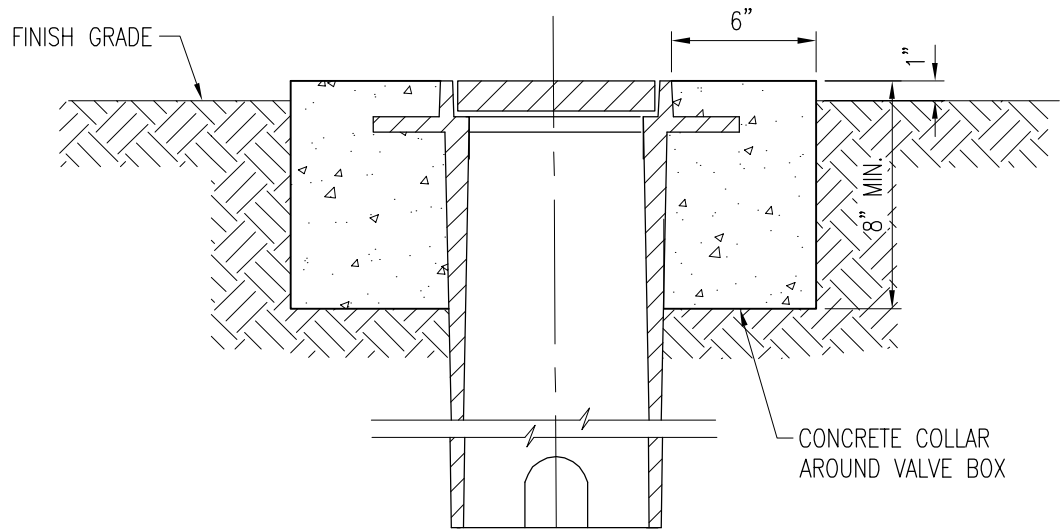


**MANHOLE IN GRASS AREA**



**VALVE BOX FOR WATER OR SEWER IN GRASS AREA**

**NOTES:**

1. A "GRASS AREA" IS ANY AREA OTHER THAN PAVED SURFACE OR A SIDEWALK AREA.
2. IN "GRASS AREAS" THE TOP OF THE CONCRETE COLLAR OR SLAB SHALL BE FINISHED WITH THE TOP OF THE VALVE BOX OR MANHOLE.
3. AREAS SUPPORTING CONCRETE COLLAR OR SLAB SHALL BE PROPERLY COMPACTED.
4. CLEARANCE OF 30 INCHES FREE FROM OBSTRUCTIONS IN ALL DIRECTIONS.

STANDARD MANHOLE	SS 6.0	
VALVE BOX AND LID	WS 3.10	
ITEM	CROSS REF.	SPEC. REF.



ISSUE DATE	APPROVED BY
06/01/2008	V.F.C.

STANDARD DETAIL

MANHOLE / VALVE BOX  
IN GRASS AREAS

SS  
21.0  
SHEET 1 OF 1