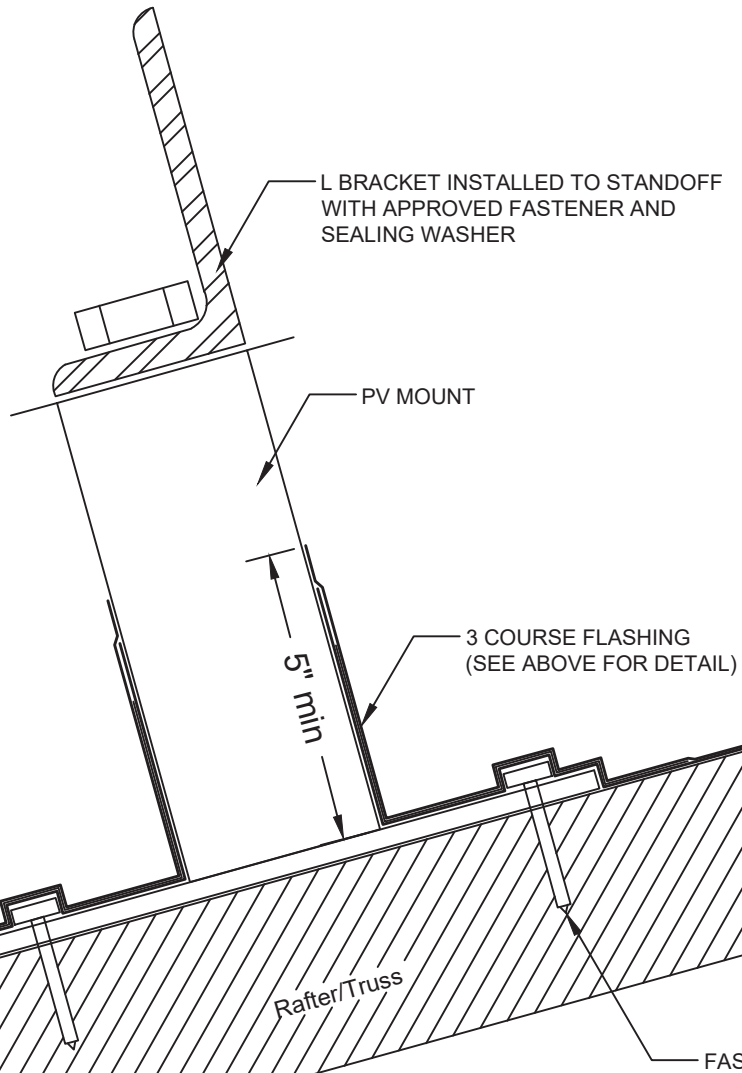
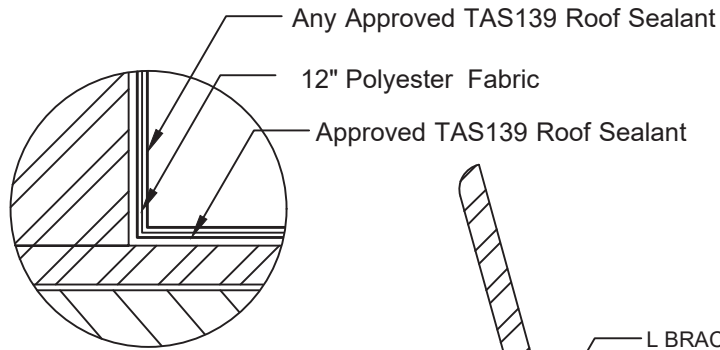


3 COURSE FLASHING



NOTE:

1. APPLY ROOF SEALANT TO BOTTOM OF PENETRATION FLANGE AND DIRECT TO ROOF DECK.
2. 3 COURSE FLASHING UTILIZING ROOF SEALANT AND 12" POLYETSER FABRIC AND ALLOW TO DRY.

PV MOUNT DETAIL "A" - TILE ROOF

SCALE Process Number

release date: 09-13-2022